

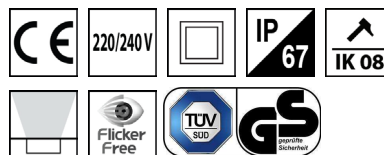
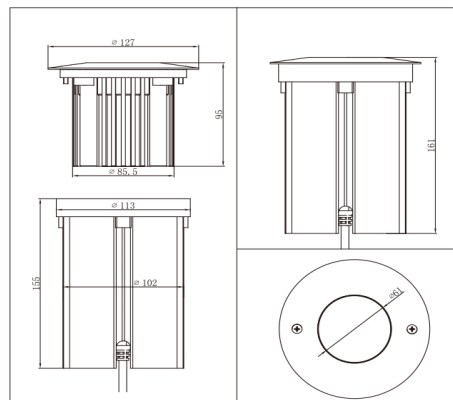


## Recessed LED inground lamp



**INDUCTION COUPLING**

**SS316**



**LOAD BEARING:2000KG**

GENERAL SPECIFICATION	
Product Family	
Voltage supply	AC220-240V 50/60Hz 24VDC
Operating temperature range Ta	-15/+50 °C
Maintenance & cleaning	H2O; Antistatic tissu
Sources of light	COB
Brand of sources	CREE
Mac Adam range	+/- 150K (Mac adam 3)
Life time L80B10 at 25°C	50000hrs
Life time L70B50 at Ta Max	35000hrs
Brand of Driver	AC PCB-B
Cycles on/off	>25000
Ripple current	- Flicker free
Position driver on fixture	Induction - integrated
Body material	Aluminum/Stainless steel 316L
Diffuser material	Tempered Glass
Réflector material	-
Closing clips material	-
Fixation	Spring fixation
Electrical network inteface	Cable 1.5m H05RNF 2G 16A
Surge protection	
Vandal proof	-
Throught wiring	-
Accessories	-
Remarks	-

LIFE TIME AND WARRANTY	
Nominal life time	50000hrs
Warranty	5 years
NORMS & DIRECTIVES	
Nominal norms marking	CE/TUV/GS
CE directive	CEI 60598-1 CEI 60598-2-2 : 2012
Security Photobiological	CEI 62471 – : 2008 : RG0
Inflammable surface compliancy	F
Other marking	ASTM B117

OPTIONS	
Dimming	NONE
CCT color temperature	3000K [3]; 5000k [5]; 6000K [6]; Blue [B]; Green [G]; Red [R]
CRI color rending index	-
Coulor of product	-
Reflector/Optic	-
Mounting accessories	Earth pole [LX002]; concrete bascket [LX001]
Other option	-

RECESSED LED LUMINAIRE FOR MOUNTING IN COMPACT AREAS,PATHS ETC.DRIVE OVERFOR VEHICLES WITH PNEUMATIC TYPES.



INDUCTION COUPLING

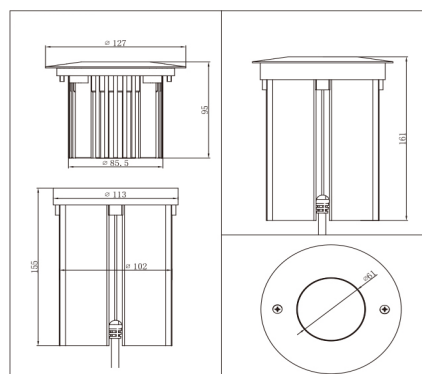
# SS316

LOAD BEARING:2000KG

## GENERAL SPECIFICATION

Product Family	
Voltage supply	AC220-240V 50/60Hz 24VDC
Operating temperature range Ta	-15/+50 ° C
Maintenance & cleaning	H2O; Antistatic tissu
Sources of light	COB
Brand of sources	CREE
Mac Adam range	+/- 150K (Mac adam 3)
Life time L80B10 at 25° C	50000hrs
Life time L70B50 at Ta Max	35000hrs
Brand of Driver	AC PCB-B
Cycles on/off	>25000
Ripple current	- Flicker free
Position driver on fixture	Induction - integrated
Body material	Aluminum/Stainless steel 316L
Diffuser material	Tempered Glass
Réflector material	-
Closing clips material	-
Electrical network inteface	Cable 1.5m H05RNF 2G 16A
Surge protection	
Vandal proof	-
Throught wiring	-
Accessories	-
Remarks	-

## Recessed LED inground lamp



## LIFE TIME AND WARRANTY

Nominal life time	50000hrs
Warranty	5 years

## NORMS & DIRECTIVES

Nominal norms marking	CE /TUV/GS
CE directive	CEI 60598-1 CEI 60598-2-2 : 2012
Security Photobiological	CEI 62471 - : 2008 : RGO
Inflammable surface compliancy	F
Other marking	ASTM B117

## OPTIONS

Dimming	NONE
CCT color temperature	3000K [3]; 5000k [5]; 6000K [6]; Blue [B]; Green [G]; Red [R]
CRI color rending index	-
Coulor of product	-
Reflector/Optic	-
Mounting accessories	Earth pole [LX002]; concrete basket [LX001]
Other option	-

RECESSED LED LUMINAIRE FOR MOUNTING IN COMPACT AREAS,PATHS ETC.DRIVE OVERFOR VEHICLES WITH PNEUMATIC TYPES.