

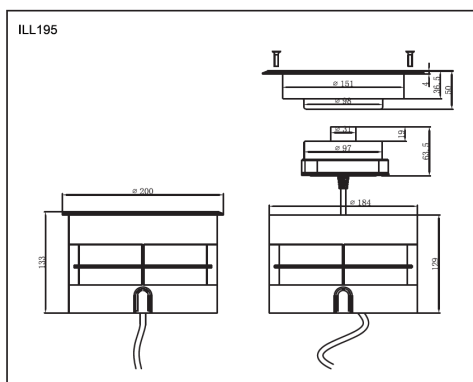


## Recessed LED inground lamp



INDUCTION COUPLING

# SS316



### GENERAL SPECIFICATION

Product Family	
Voltage supply	AC220-240V 50/60Hz 24VDC
Operating temperature range Ta	-15/+50 ° C
Maintenance & cleaning	H2O; Antistatic tissu
Sources of light	COB
Brand of sources	CREE
Mac Adam range	+/- 150K (Mac adam 3)
Life time L80B10 at 25° C	50000hrs
Life time L70B50 at Ta Max	35000hrs
Brand of Driver	AC PCB-B
Cycles on/off	>25000
Ripple current	- Flicker free
Position driver on fixture	Induction - integrated
Body material	Aluminum/Stainless steel 316L
Diffuser material	Tempered Glass
Réflector material	-
Electrical network interface	Cable 1.5m H05RNF 2G 16A
Surge protection	
Vandal proof	-
Through wiring	-
Accessories	-
Remarks	-

### LIFE TIME AND WARRANTY

Nominal life time	50000hrs
Warranty	5 years

### NORMS & DIRECTIVES

Nominal norms marking	CE /TUV/GS
CE directive	CEI 60598-1 CEI 60598-2-2 : 2012
Security Photobiological	CEI 62471 - : 2008 : RG0
Inflammable surface compliancy	F
Other marking	ASTM B117

### OPTIONS

Dimming	NONE
CCT color temperature	3000K [3]; 5000k [5]; 6000K [6]; Blue [B]; Green [G]; Red [G]
CRI color rendering index	-
Color of product	-
Reflector/Optic	-
Mounting accessories	Earth pole [LX002]; concrete basket [LX001]
Other option	-